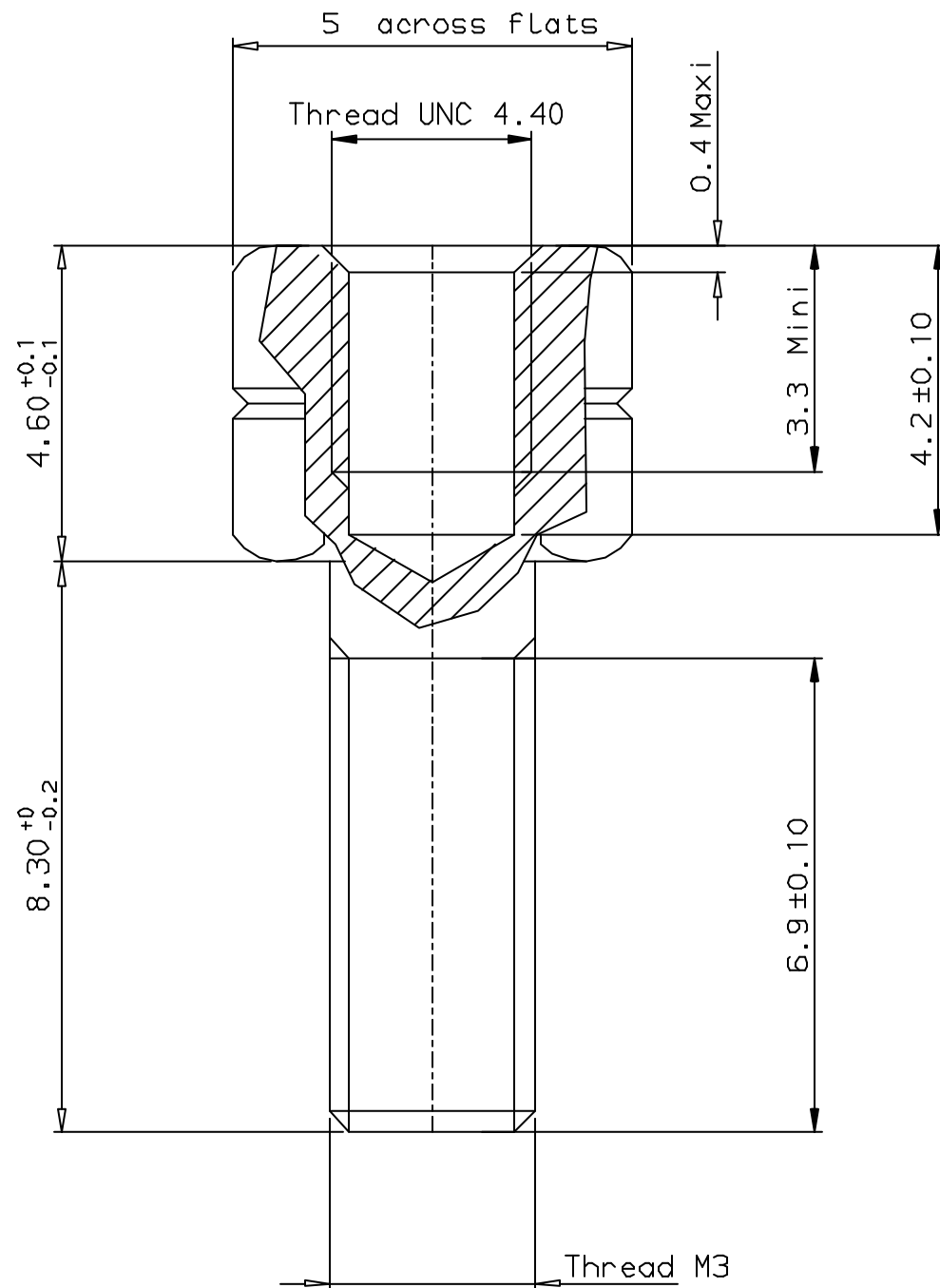


Tous droits strictement réservés. Reproduction ou communication à des tiers interdite sous quelque forme que ce soit sans autorisation écrite du propriétaire. Propriété de FCI. Droits de reproduction FCI.

**FCI**

All rights strictly reserved. Reproduction or issue to third parties in any form whatever is not permitted without written authority from the proprietor. Property of FCI. Copyright FCI.



TECHNICAL CHARACTERISTICS :

Female screw locks: brass  
Packaging : per 1000 pieces .

86551007LF	NOTE 1
86551007TLF	NOTE 2
LEAD FREE PART NUMBER	RoHS NOTE

NOTE1:RoHS INFORMATIONS

- The "LF" product meets European union Directives and other country regulations as described in GS-22-008.
- The product is not intended to be exposed to a manufacturing solder process.
- Plating: Zinc Cr3+, white color.
- Packaging spec: see GS-14-920.

NOTE2:RoHS INFORMATIONS

- The "LF" product meets European union Directives and other country regulations as described in GS-22-008.
- The product is not intended to be exposed to a manufacturing solder process.
- Plating: Sn pure bright over Copper.
- Packaging spec: see GS-14-920.

European view

<b>FCI</b>		www.fciconnect.com		150 1302	tolerance 150 406 150 1101	projection 	mm 
Dr	GOISNARD	12/01/06	Product family	D-SUB 571		size	Scale
Eng	PESSON	12/01/06	Spec ref	-		A3	10
Chr	LEGARE	12/01/06	Material	SEE NOTES		ECN	LS05-0123
Appr	LEGARE	12/01/06					
title						Rev.	
FEMALE SCREW LOCKS						A	
catalog no						- CUSTOMER COPY	
						sheet 1 of 1	

Ltr	ecn no	dr	date
A	LS05-0123	LG0	12/01/06
-	-	-	-
-	-	-	-
-	-	-	-
-	-	-	-
-	-	-	-